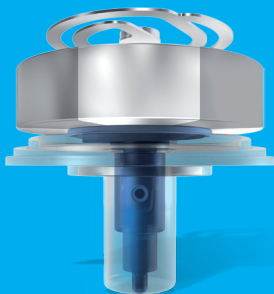


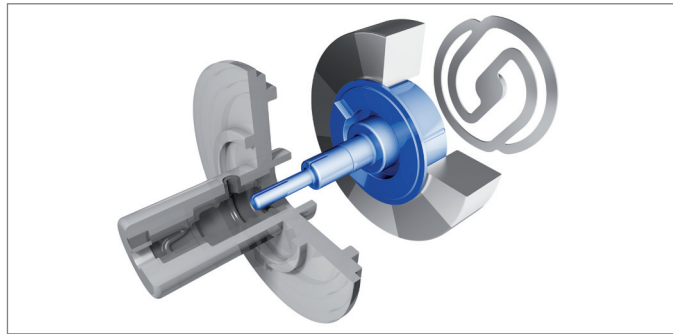


# Switching from intravenous to subcutaneous infusion

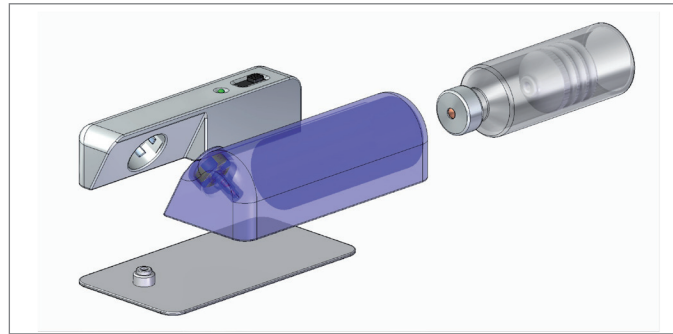


Technology and individualized development

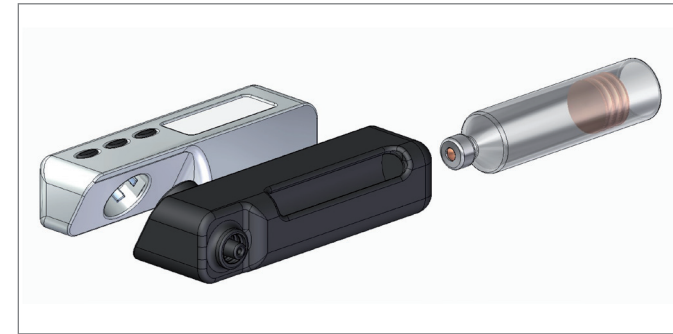
## The Micro Pump Technology



## The Products: Patch Pump Solution



## Mini Pump Solution



## Your benefit



Subcutaneous Drug Infusion is getting more and more attractive. Patients can administer the drug at home and therefore therapy costs can drastically be reduced.

If you want to switch from i.v. to s.c. infusion, a pump, which allows accurate, cost efficient, safe and very convenient handling of the infusion process is needed. With Sensile Medical's pump technology we have developed a smart technology, which fulfills these. Our products are custom made and therefore fit with your specific requirements in regard to infusion speed, handling of the drug/device, drug stability and optimum convenience for the patient.

Sensile Medical develops and builds micro pumps for liquid drug delivery. The pump components are precision, medical grade plastic parts, manufactured in a controlled environment under 6-sigma processes.

This results in a precise pumping technology at a very competitive price. The technology allows developing semi-disposable or fully disposable pump products.

Most patients are limited in their daily activities by the tubing of conventional catheter-based pumps, and want easy to use, reliable and safe device.

Sensile Medical's Patch Pump is an easy-to-use, lightweight, compact, semi- disposable, subcutaneous drug infusion device. This very accurate, safe and precise Patch Device is the next generation of drug delivery solutions.

Standard prefilled glass cartridges up to 10ml can be used with our patch pump, thus avoiding the critical filling process from one reservoir to another and therefore highest possible drug stability is guaranteed.

Several drugs need to be pumped within a short period of time (10-60 min.) into the s.c. tissue and often require once a week or once a month administration.

Sensile Medical's Mini Pump is an easy-to-use, lightweight, Infusion-set based, continuous sub-cutaneous drug infusion device. This very accurate, safe and precise Device is the next generation of drug delivery solutions.

Standard prefilled glass cartridges up to 10ml can be used with our mini pump and therefore highest possible drug stability is guaranteed.

Due to the fact that standard infusion catheters are used, minimal skin irritation is observed.

### Optimal Drug Stability

Drug can directly be delivered from standard glass cartridges (1-10ml).

### Safety of Administration

Redundant mechanism guarantee a safe and reliable administration.

### Cost Efficiency

Due to the semi-disposable device concept, cost efficient solutions can be realized.

### Variable Dosing

Dosing speeds and dosing profiles can be adopted in a wide range. (1µl-6ml per minute)

### Easy Handling

The devices are designed to minimize handling steps for the patient.

Asking questions  
sparks innovation.

Contact us.

For further information:

Sensile Medical AG

Derek Brandt

[bd@sensile-medical.com](mailto:bd@sensile-medical.com)



Sensile Medical AG

Fabrikstraße 10

CH-4614 Hägendorf

Switzerland

[www.sensile-medical.com](http://www.sensile-medical.com)

Phone + 41 62 209 71 00

Fax + 41 62 209 71 01